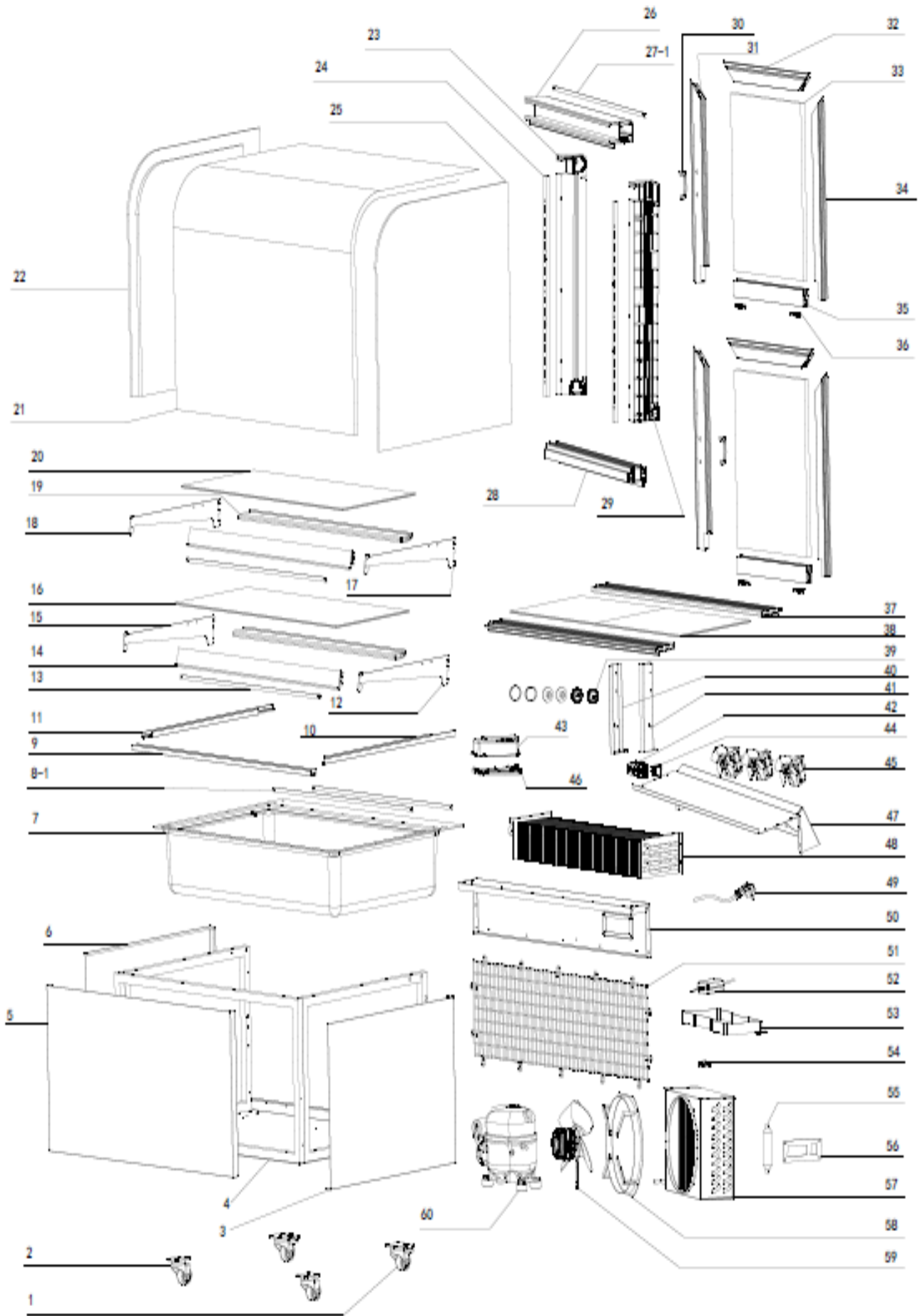


# DC270

## Exploded parts diagram

Image shown is a DC270







Part Number	Number	Description	Qty
***	1	Rear Swivel Castor w/ Brake	2
***	2	Front Swivel Castor w/out Brake	2
***	3	Bottom Plate	1
***	4	Left Cover	1
***	5	Front Cover	1
***	6	Right Cover	1
***	7	Evaporator Insulation	1
***	8-1	Bottom LED	1
***	9	Front Glass Fixing	1
***	10	Right Glass Fixing	1
***	11	Left Glass Fixing	1
***	12	Right Bottom Shelf Holder	2
***	13-1	Middle LED	1
***	14	Price Tag	2
***	15	Left Bottom Shelf Holder	1
***	16	Bottom Glass Shelf	1
***	17	Right Top Shelf Holder	1
***	18	Left Top Shelf Holder	1
***	19	Shelf Support	2
***	20	Top Glass Shelf	1
***	21	Curved Front Glass	1
***	22	Left side Glass	1
***	23	Left Support	1
***	24	Shelf Holder	2
***	25	Right Side Glass	1
***	26	Top Frame	1
***	27-1	Top LED	1
***	28	Bottom Frame	1
***	29	Right Support	1
***	30	Door Handle	1
***	31	Door Frame (Left Side) *Only Full Door Assy Available*	1
***	32	Door Frame (Top Side) *Only Full Door Assy Available*	1
***	33	Door Glass *Only Full Door Assy Available*	1
***	34	Door Frame (Right Side) *Only Full Door Assy Available*	1
***	35	Door Roller	2
***	36	Door Frame (Bottom) *Only Full Door Assy Available*	1
***	37	Air Inlet/Outlet	2
***	38	Bottom Glass (Black)	1
***	39	Screw Cover	2
***	40	Fixing Pole (Left)	1
***	41	Fixing Pole (Right)	1
B4-STAT07	42	Controller	1
***	43	Thermostat Lid	1
***	44	Switch	1

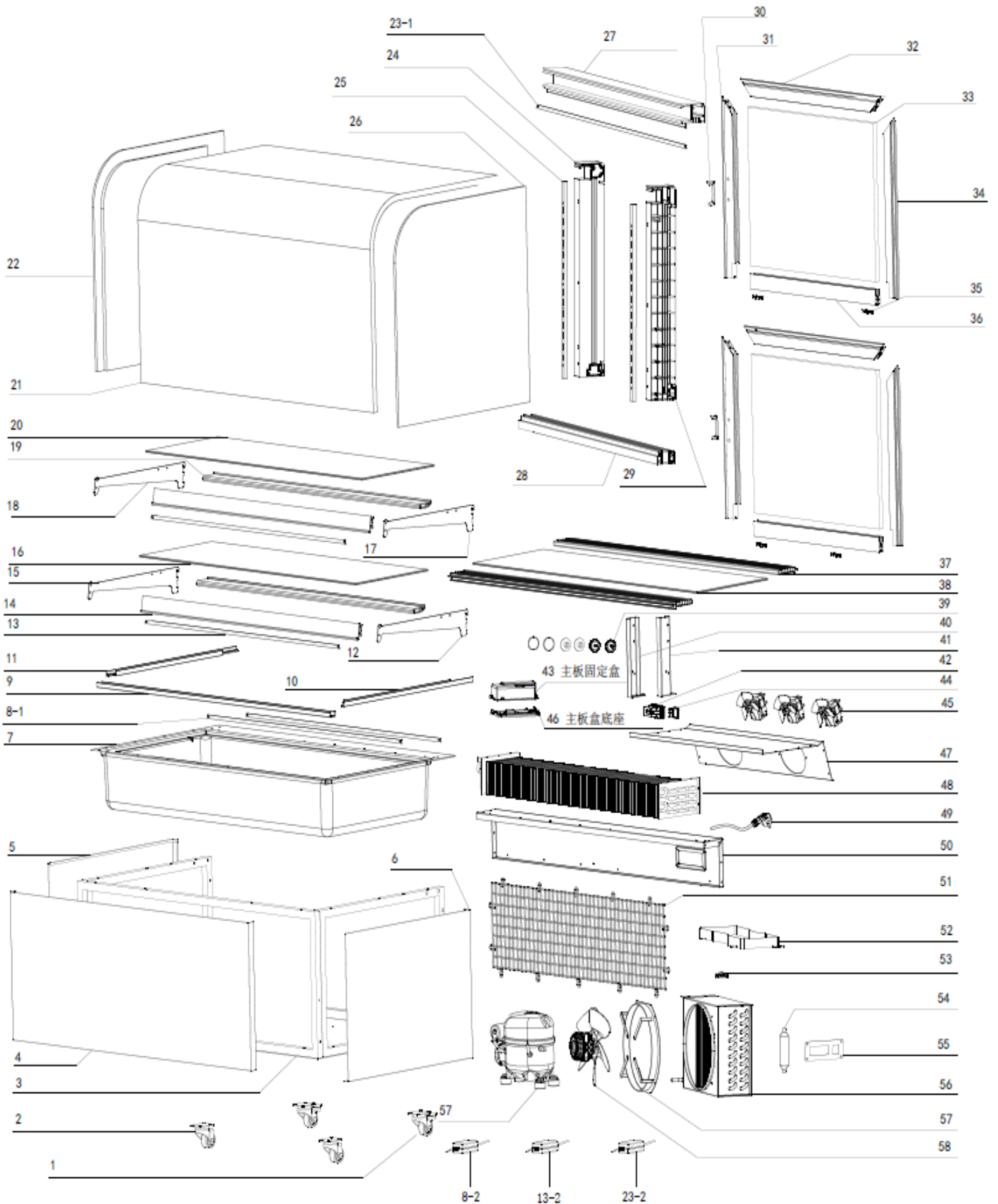
***	45	Evap Fan Motor	3
***	46	Thermostat Base	1
***	47	Evaporator Cover	1
***	48	Evaporator	1
***	49	Power Cord	1
***	50	Rear Frame	1
***	51	Back Grill	1
B4-LEDTRANS01	52	LED Driver	1
***	53	Vaporising Tray	1
***	54	Power Cord Clamp	1
***	55	Drier	1
***	56	Control Panel	1
***	57	Condenser	1
***	58	Fan Bracket	1
***	59	Condenser Fan Motor	1
B4-COMP03	60	Compressor	1

# DC370

## Exploded parts diagram

Sliding door image shown with reference to parts for the hinged versions







Part Number	Number	Description	Qty
***	1	Rear Swivel Castor w/ Brake	2
***	2	Front Swivel Castor w/out Brake	2
***	3	Bottom Plate	1
***	4	Left Cover	1
***	5	Front Cover	1
***	6	Right Cover	1
***	7	Evaporator Insulation	1
***	8-1	Bottom LED	1
***	9	Front Glass Fixing	1
***	10	Right Glass Fixing	1
***	11	Left Glass Fixing	1
***	12	Right Bottom Shelf Holder	2
***	13-1	Middle LED	1
***	14	Price Tag	2
***	15	Left Bottom Shelf Holder	1
***	16	Bottom Glass Shelf	1
***	17	Right Top Shelf Holder	1
***	18	Left Top Shelf Holder	1
***	19	Shelf Support	2
***	20	Top Glass Shelf	1
***	21	Curved Front Glass	1
***	22	Left side Glass	1
***	23-1	Top LED	1
***	24	Left Support	1
***	25	Shelf Holder	2
***	26	Right Side Glass	1
***	27	Top Frame	1
***	28	Bottom Frame	1
***	29	Right Support	1
***	30	Door Handle	1
***	31	Door Frame (Left Side) *Only Full Door Assy Available*	1
***	32	Door Frame (Top Side) *Only Full Door Assy Available*	1
***	33	Door Glass *Only Full Door Assy Available*	1
***	34	Door Frame (Right Side) *Only Full Door Assy Available*	1
***	35	Door Roller	2
***	36	Door Frame (Bottom) *Only Full Door Assy Available*	1
***	37	Air Inlet/Outlet	2
***	38	Bottom Glass (Black)	1
***	39	Screw Cover	2
***	40	Fixing Pole (Left)	1
***	41	Fixing Pole (Right)	1
B4-STAT07	42	Controller	1
***	43	Thermostat Lid	1
***	44	Switch	1

***	45	Evap Fan Motor	3
***	46	Thermostat Base	1
***	47	Evaporator Cover	1
***	48	Evaporator	1
***	49	Power Cord	1
***	50	Rear Frame	1
***	51	Back Grill	1
***	52	Vaporising Tray	1
***	53	Power Cord Clamp	1
***	54	Drier	1
***	55	Control Panel	1
B4-COND370	56	Condenser	1
***	57	Fan Bracket	1
***	58	Condenser Fan Motor	1
B4-COMP03	59	Compressor	1
B4-LEDTRANS01	8-2	LED Driver	1
B4-LEDTRANS01	13-2	LED Driver	1
B4-LEDTRANS01	23-2	LED Driver	1

\*\*\* Please contact Spares \*\*\*

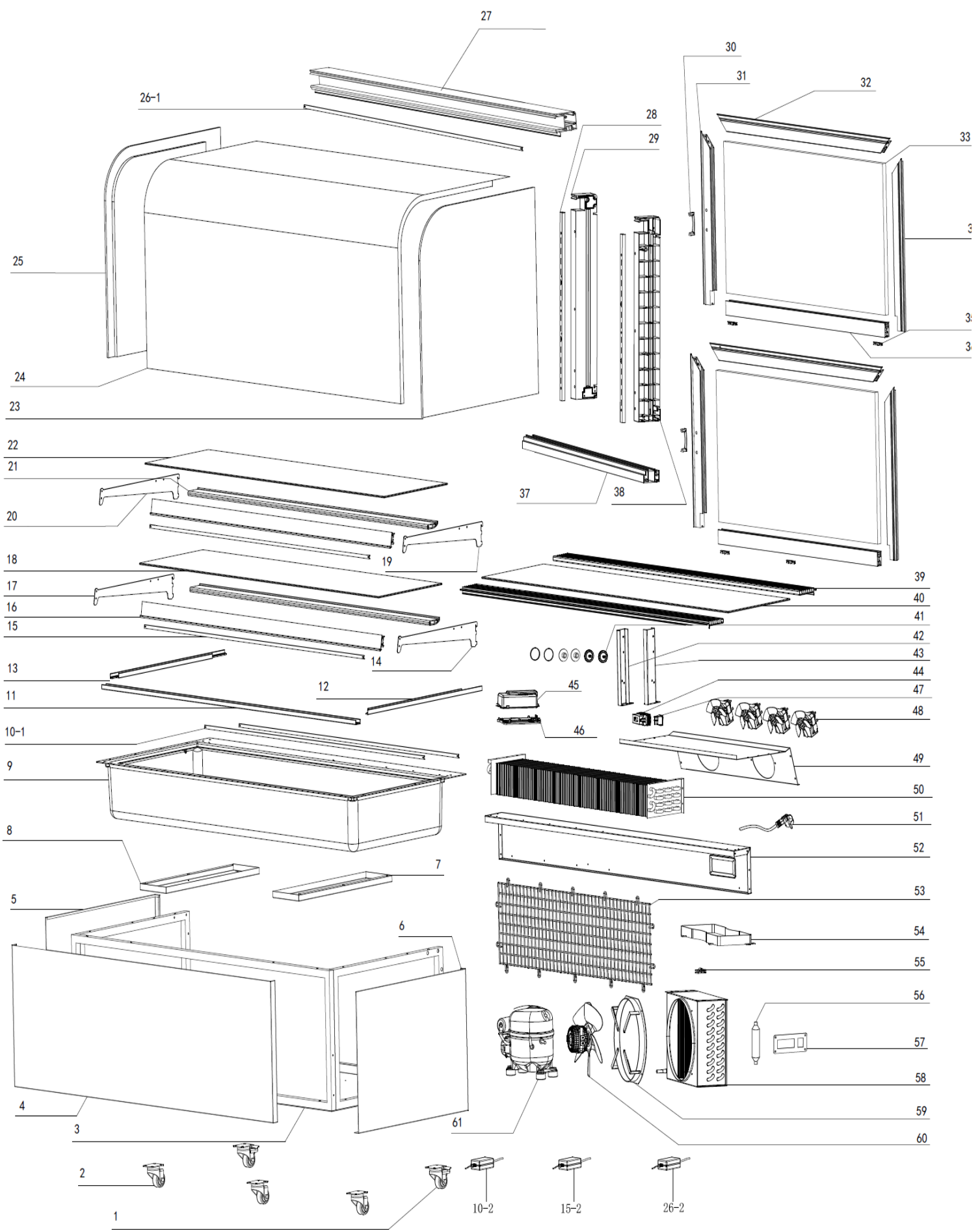


# DC470

## Exploded parts diagram

Sliding door image shown with reference to parts for the hinged versions





Part Number	Number	Description	Qty
***	1	Rear Swivel Castor w/ Brake	2
***	2	Front Swivel Castor w/out Brake	2
***	3	Bottom Plate	1
***	4	Left Cover	1
***	5	Front Cover	1
***	6	Right Cover	1
***	7	Left Blister Barrel Fixing Plate	1
***	8	Right Blister Barrel Fixing Plate	1
***	9	Evaporator Insulation	1
B4-LEDDC470	10-1	Bottom LED	1
***	11	Front Glass Fixing	1
***	12	Right Glass Fixing	1
***	13	Left Glass Fixing	1
***	14	Right Bottom Shelf Holder	2
B4-LEDDC470	15-1	Middle LED	1
***	16	Price Tag	2
***	17	Left Bottom Shelf Holder	1
***	18	Bottom Glass Shelf	1
***	19	Right Top Shelf Holder	1
***	20	Left Top Shelf Holder	1
***	21	Shelf Support	2
***	22	Top Glass Shelf	1
***	23	Right Side Glass	1
***	24	Curved Front Glass	1
***	25	Left Side Glass	1
B4-LEDDC470	26-1	Top LED	1
***	27	Top Frame	1
***	28	Shelf Holder	2
***	29	Left Support	1
***	30	Door Handle	1
B4-DOOR470	31	Door Frame (Left Side) *Only Full Door Assy Available*	1
B4-DOOR470	32	Door Frame (Top Side) *Only Full Door Assy Available*	1
B4-DOOR470	33	Door Glass *Only Full Door Assy Available*	1
B4-DOOR470	34	Door Frame (Right Side) *Only Full Door Assy Available*	1
***	35	Door Roller	2
B4-DOOR470	36	Door Frame (Bottom) *Only Full Door Assy Available*	1
***	37	Bottom Frame	1
***	38	Right Support	1
***	39	Air Inlet/Outlet	2
***	40	Bottom Glass (Black)	1
***	41	Cover	2
***	42	Fixing Pole (Left)	1
***	43	Fixing Pole (Right)	1
B4-STAT07	44	Controller	1
***	45	Thermostat Lid	1
***	46	Thermostat Base	1
***	47	Switch	1
***	48	Evap Fan Motor	4
***	49	Evap Cover	1
***	50	Evaporator	1

***	51	Power Cord	1
***	52	Rear Frame	1
***	53	Back Grill	1
***	54	Vaporising Tray	1
***	55	Power Cord Clamp	1
***	56	Drier	1
***	57	Control Panel	1
***	58	Condenser	1
***	59	Fan Bracket	1
***	60	Condenser Fan Motor	1
B4-COMP03	61	Compressor	1
***	10-2	LED Driver	1
***	15-2	LED Driver	1
***	26-2	LED Driver	1

\*\*\* Please contact Spares for assistance \*\*\*