

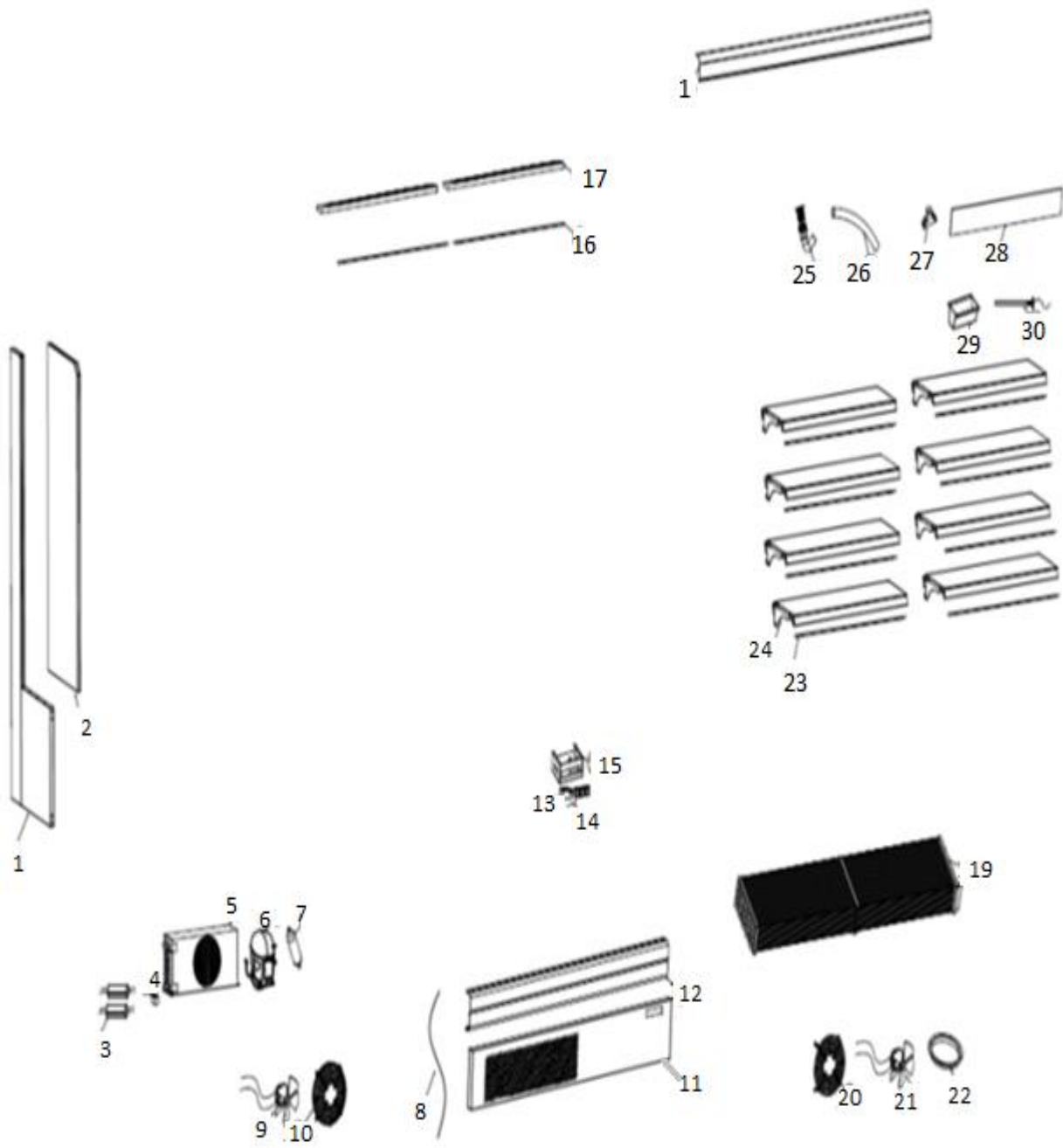
BTD Range

(70, 100, 130, 150, 200BK/WH/SS)

Please state black, white or SS

Exploded parts diagram







BTD70 (BK/WH/SS)

Part Number	Number	Description	Qty
***	1	Left Side Panel	1
***		Right Side Panel	1
B9-SIDEGLOSS01	2	Left Side glass	1
B9-SIDEGLOSS01R		Right Side Glass	1
B9-LEDTRANS01	3	LED Transformer	1
B9-RELAY	4	Relay	1
***	5	Condenser	1
B9-COMP01	6	Compressor	1
***	7	Drier	1
B9-CAPILLARY01	8	Capillary	1
C5-MOTOR16W	9	Condenser Fan	1
***	10	Condenser Fan Guard	1
***	11	Front Panel	1
***	12	Front Box Section	1
B9-STAT01	13	Controller	1
B9-SWITCH	14	Switch	3
***	15	Controller Box	1
B9-LED01	16	LED	2
B9-DIFFUSER01	17	Diffuser	2
***	18	Upper Beam	1
B9-EVAP01	19	Evaporator	1
***	20	Evaporator Fan Guard	1
C5-MOTOR10W	21	Evaporator Fan	1
***	22	Evaporator Fan Bracket	1
B9-LED06	23	Shelf Light	4
B9-SHELF70B	24	Shelf (Black, inc. brackets)	4
B9-SHELF70W	24	Shelf (White, inc. brackets)	4
B9-DRAIN	25	Drainpipe Assy	1
B9-SWITCH01	26	Drainpipe	1
N/A	27	Delay Timer	-
B9-DEFLECTOR70	28	Front Deflector	1
B9-DRIPTRAY	29	Vaporizing Tray	1
B9-HEATER01	30	Vaporizing Heater	1
B9-NIGHTBLIND70	-	Night Curtain	1

*** Please contact Spares for assistance ***



BTD100 (BK/WH/SS)

Part Number	Number	Description	Qty
***	1	Left Side Panel	1
***		Right Side Panel	1
B9-SIDEGLOSS01	2	Left Side glass	1
B9-SIDEGLOSS01R		Right Side Glass	1
B9-LEDTRANS01	3	LED Transformer	1
N/A	4	Relay	-
B9-COND100	5	Condenser	1
B9-COMP02	6	Compressor	1
***	7	Drier	1
B9-CAPILLARY01	8	Capillary	1
C5-MOTOR16W	9	Condenser Fan	1
***	10	Fan Guard	1
***	11	Front Panel	1
***	12	Front Box Section	1
B9-STAT01	13	Controller	1
B9-SWITCH	14	Switch	3
N/A	15	Controller Box	-
B9-LED02	16	LED	1
B9-DIFFUSER02	17	Diffuser	1
***	18	Upper Beam	1
B9-EVAP02	19	Evaporator	1
***	20	Evaporator Fan Guard	1
C5-MOTOR10W	21	Evaporator Fan	1
***	22	Evaporator Fan Bracket	1
B9-LED07	23	Shelf Light	4
B9-SHELF100B	24	Shelf (Black, inc. brackets)	4
B9-SHELF100W	24	Shelf (White, inc. brackets)	4
B9-DRAIN	25	Drainpipe Assy	1
B9-SWITCH01	26	Drainpipe	1
B9-DEFLECTOR100	27	Front Deflector	1
B9-DRIPTRAY	28	Vaporizing Tray	1
B9-HEATER01	29	Vaporizing Heater	1
B9-NIGHTBLIND100	30	Night Curtain	1

*** Please contact Spares for assistance ***



BTD130BK/WH/SS

Part Number	Number	Description	Qty
***	1	Left Side Panel	1
***		Right Side Panel	1
B9-SIDEGLOSS01	2	Left Side glass	1
B9-SIDEGLOSS01R		Right Side Glass	1
B9-LEDTRANS01	3	LED Transformer	1
B9-RELAY	4	Relay	1
***	5	Condenser	1
B9-COMP03	6	Compressor	2
***	7	Drier	2
B9-CAPILLARY01	8	Capillary	2
C5-MOTOR16W	9	Condenser Fan	2
***	10	Condenser Fan Guard	2
***	11	Front Panel	1
***	12	Front Box Section	1
B9-STAT01	13	Controller	1
B9-SWITCH	14	Switch	3
***	15	Controller Box	1
B9-LED03	16	LED	1
B9-DIFFUSER03	17	Diffuser	1
***	18	Upper Beam	1
B9-EVAP03	19	Evaporator	1
***	20	Evaporator Fan Guard	2
C5-MOTOR10W	21	Evaporator Fan	2
***	22	Evaporator Fan Bracket	2
B9-LED08	23	Shelf Light	4
B9-SHELF130B	24	Shelf (Black, inc. brackets)	4
B9-SHELF130W	24	Shelf (White, inc. brackets)	4
B9-DRAIN	25	Drainpipe Assy	1
B9-SWITCH01	26	Drainpipe	1
B9-TIMER	27	Time Delay Relay	1
B9-DEFLECTOR130	28	Front Deflector	1
B9-DRIPTRAY	29	Vaporizing Tray	1
B9-HEATER01	30	Vaporizing Heater	1
B9-NIGHTBLIND130	-	Night Curtain	1

*** Please contact Spares for assistance ***



BTD150BK/WH/SS

Part Number	Number	Description	Qty
***	1	Left Side Panel	1
***		Right Side Panel	1
B9-SIDEGLOSS01	2	Left Side glass	1
B9-SIDEGLOSS01R		Right Side Glass	1
B9-LEDTRANS01	3	LED Transformer	1
B9-RELAY	4	Relay	1
***	5	Condenser	1
B9-COMP03	6	Compressor	2
***	7	Drier	2
B9-CAPILLARY01	8	Capillary	2
C5-MOTOR16W	9	Condenser Fan	2
***	10	Condenser Fan Guard	2
***	11	Front Panel	1
***	12	Front Box Section	1
B9-STAT01	13	Controller	1
B9-SWITCH	14	Switch	3
***	15	Controller Box	1
B9-LED04	16	LED	1
B9-DIFFUSER04	17	Diffuser	1
***	18	Upper Beam	1
B9-EVAP04	19	Evaporator	1
***	20	Evaporator Fan Guard	2
C5-MOTOR10W	21	Evaporator Fan	2
***	22	Evaporator Fan Bracket	2
B9-LED09	23	Shelf Light	4
B9-SHELF150B	24	Shelf (Black, inc. brackets)	4
B9-SHELF150W	24	Shelf (White, inc. brackets)	4
B9-DRAIN	25	Drainpipe Assy	1
B9-SWITCH01	26	Drainpipe	1
B9-TIMER	27	Time Delay Relay	1
B9-DEFLECTOR150	28	Front Deflector	1
B9-DRIPTRAY	29	Vaporizing Tray	1
B9-HEATER01	30	Vaporizing Heater	2
B9-NIGHTBLIND150	-	Night Curtain	2

*** Please contact Spares for assistance ***



BTD200BK/WH/SS

Part Number	Number	Description	Qty
***	1	Left Side Panel	1
***		Right Side Panel	1
B9-SIDEGLOSS01	2	Left Side glass	1
B9-SIDEGLOSS01R		Right Side Glass	1
B9-LEDTRANS01	3	LED Transformer	2
B9-RELAY	4	Relay	1
***	5	Condenser	1
B9-COMP02	6	Compressor	2
***	7	Drier	2
B9-CAPILLARY01	8	Capillary	2
C5-MOTOR16W	9	Condenser Fan	3
***	10	Condenser Fan Guard	3
***	11	Front Panel	1
***	12	Front Box Section	1
B9-STAT01	13	Controller	1
B9-SWITCH	14	Switch	3
***	15	Controller Box	1
B9-LED05	16	LED	2
B9-DIFFUSER05	17	Diffuser	2
***	18	Upper Beam	1
B9-EVAP05	19	Evaporator	1
***	20	Evaporator Fan Guard	2
C5-MOTOR10W	21	Evaporator Fan	2
***	22	Evaporator Fan Bracket	2
B9-LED10	23	Shelf Light	8
B9-SHELF200B	24	Shelf (Black, inc. brackets)	8
B9-SHELF200W	24	Shelf (White, inc. brackets)	8
B9-DRAIN	25	Drainpipe Assy	1
B9-SWITCH01	26	Drainpipe	1
B9-TIMER	27	Time Delay Relay	1
B9-DEFLECTOR200	28	Front Deflector	2
B9-DRIPTRAY	29	Vaporizing Tray	1
B9-HEATER01	30	Vaporizing Heater	2
***	-	Night Curtain	2

*** Please contact Spares for assistance ***