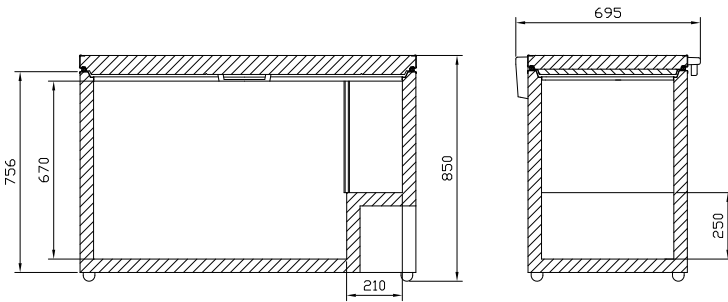


Commercial Chest Freezers

SZ282C



SZ464C



IMPORTANT

You must complete the Warranty Card and return to Vestfrost within 28 days to validate the warranty, failure to do so may result in warranty being void.

FEATURES

- Anti-corrosion painted plate exterior in white
- Aluminium interior
- Lock as standard
- Depth - including handle 695mm
- Drain and drip tray supplied
- Skin condenser
- Fast freeze function

TECHNICAL SPECIFICATIONS

Controller:	Manual thermostat with digital temperature display
Cooling:	Static
Defrost:	Manual
Refrigerant:	R600a
Climate Class:	SN-T
Temperature Range:	-18°C ~ -22°C
Power Supply:	13amp

MODEL	GROSS CAPACITY	BASKETS SUPPLIED	MAX. BASKETS	EXT. DIMENSIONS (H x W x D mm)	POWER CONSUMPTION	DECIBELS	WEIGHT (kg)	RRP
SZ181C	187L	1	3	850 x 720 x 695	95W	38dBA	42	£472.00
SZ248C	254L	1	6	850 x 920 x 695	130W	38dBA	47	£496.00
SZ282C	288L	1	9	850 x 1020 x 695	130W	38dBA	53	£521.00
SZ362C	370L	2	12	850 x 1260 x 695	145W	36dBA	58	£567.00
SZ464C	475L	2	15	850 x 1560 x 695	190W	37dBA	67	£642.00

