

# Compact Gastronorm Counters

With prep top

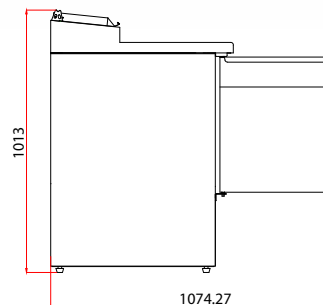
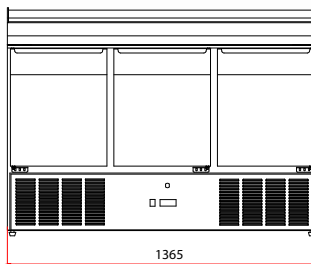
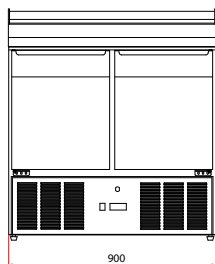
**BCC2EN-ECO**

Product should be refrigerated prior to placing in raised collar

**BCC3EN-ECO**



Working area depth 440mm



## FEATURES

- Stainless steel exterior & interior
- 4 rollers and 2 securing feet
- Internal corners rounded to aid cleaning
- 1 x adjustable GN1/1 shelf per door
- Raised collar accepts GN1/6 containers - maximum depth 150mm
- Replaceable door gasket
- 45mm insulation
- Unit compartment slides out for easy maintenance
- Easily removable condenser filter for cleaning

## TECHNICAL SPECIFICATIONS

Controller:	Dixell Blue Line controller
Cooling:	Fan assisted
Defrost:	Automatic
Refrigerant:	R600a (BCC2EN-ECO) R290 (BCC3EN-ECO)
Climate Class:	4
Temperature Range:	+2°C ~ +8°C
Decibels:	42dBA
Power Supply:	13amp

MODEL	DOOR	CONTAINER CAPACITY	GROSS CAPACITY	EXT. DIMENSIONS (H x W x D mm)	POWER CONSUMPTION	WEIGHT (kg)	RRP
BCC2EN-ECO	2	5 x GN1/6	227L	1013 x 900 x 700	142W	103	
BCC3EN-ECO	3	8 x GN1/6	376L	1013 x 1365 x 700	230W	143	



See page 299 for full GN container range

